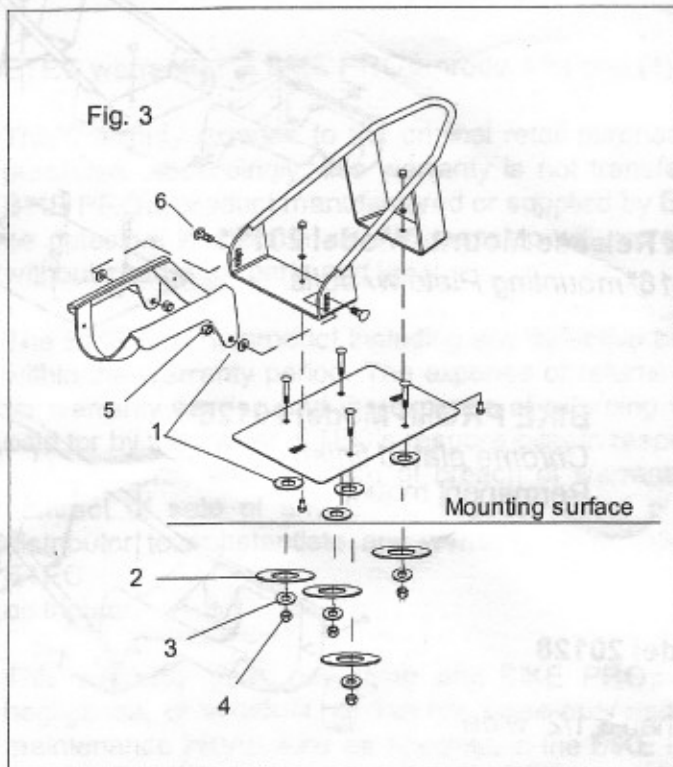


# INSTALLATION INSTRUCTIONS

ETEC LIMITED WARRANTY



1. Plastic spacer
2. Body washer 1-1/2"
3. Lock washer 3/8"
4. Nut 3/8"
5. 1/2" locknut
6. 1/2" x 1-1/4" carriage

**Note:** For multiple motorcycles add additional BIKE PRO and space them apart accordingly.

**Note:** The Cradle can be attached to the Base Assembly in three different positions. The lower setting is recommended if the tire clears the floor.

Bottom - Cruiser bikes with Wide Tire  
Center - Medium width and diameter  
Top - Narrow width and smaller diameter

1. Assemble the Cradle to the Base Assembly with the carriage bolts, plastic washers and locknuts. Fig.3

2. Tighten locknuts only until there is slight friction as the Cradle is moved. These nuts should be checked regularly to ensure proper tension.

## Quick Release Mounting Model 20106 & 20111

**Note:** The Quick Release Base Plate must be installed so that the BIKE PRO will slide forward 1. Position the BIKE PRO so that the BIKE PRO and / or motorcycle will have adequate clearance. Also check whether there will be interference with Frame Members under the Mounting Surface. There must be enough clearance from Frame Members to allow proper installation. Fig. 3

2. Place the Plastic Washers in position so that they take up the gap between the Quick Release Base Plate and the Mounting Surface..
3. Drill through the four holes in the Quick Release Base Plate through the Mounting Surface.
4. Fasten the Quick Release Base Plate to the Mounting Surface with the carriage bolts, Plastic washers lock washers and nuts through the Base Plate, Mounting Surface and Body washers.
5. Fasten the Bike pro with the lock washers and acorn nuts and tighten securely.

## UNLOADING

1. Remove means of securing motorcycle to tie down points.
2. Release motorcycle wheel from BIKE PRO, by pulling rearward on motorcycle. Be prepared to use motorcycle brakes to slow or stop the motorcycle as it releases from the BIKE PRO.
3. Carefully back the motorcycle off the Loading Surface.

**IMPORTANT:** There is not any implied safety when using BIKE PRO™ products. Use of BIKE PRO™ products is at your own risk.

## LOADING

1. Move motorcycle onto Loading Surface.
2. Completely engage motorcycle wheel into BIKE PRO™.
3. Once the motorcycle wheel is fully engaged in the BIKE PRO™, release and get off motorcycle.
4. Adequately secure motorcycle to tie down points.